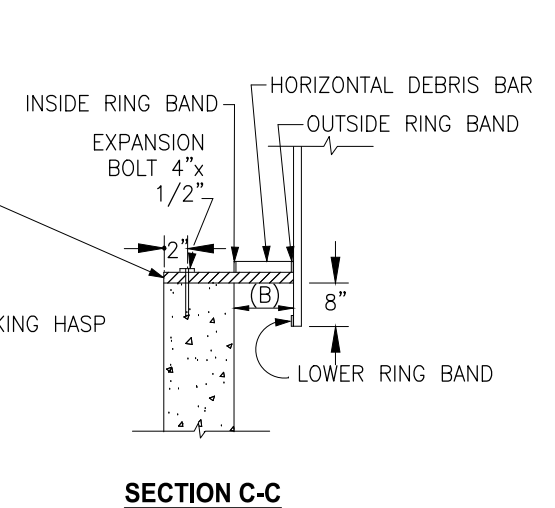
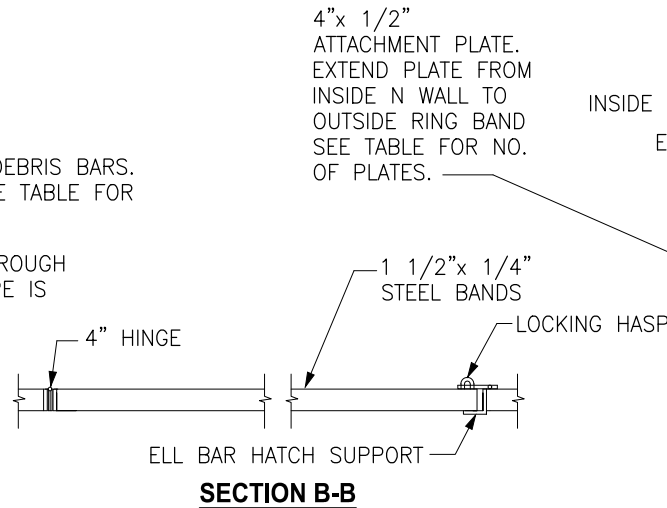
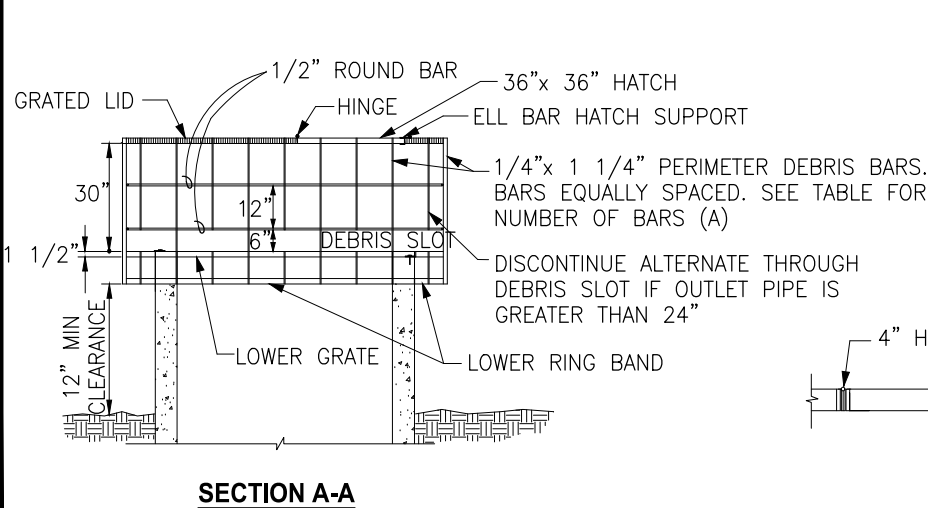
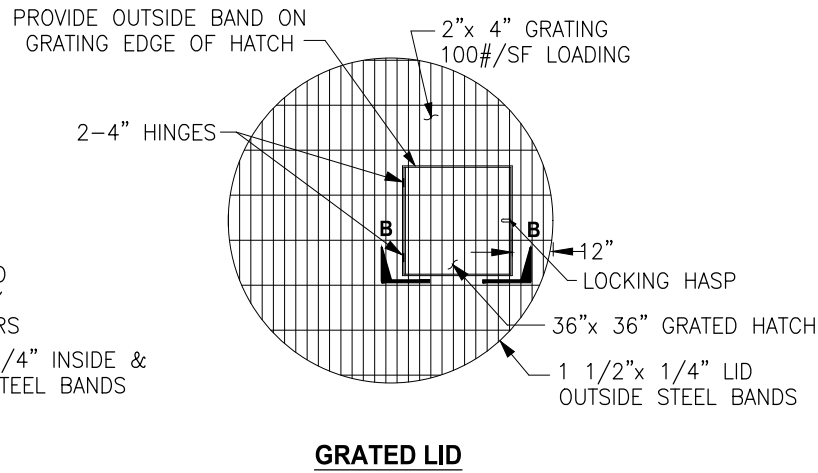
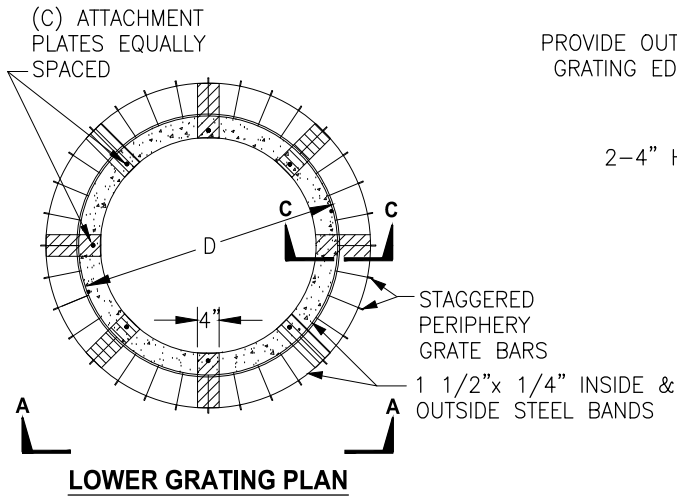


NOTES:

1. ALL PARTS OF THE CAGE SHALL BE ALUMINUM, ALUMINIZED STEEL OR STAINLESS STEEL AND JOINTS WELDED. NO GALVANIZED MATERIAL ALLOWED. IN ADDITION WHERE SPECIFIED, DEBRIS CAGE SHALL BE SHOP PAINTED FLAT BLACK.
2. UNLESS INDICATED OTHERWISE, ALL BANDS AND BARS SHALL BE 1 1/2" X 1/4".
3. GRATED LID SHALL BE CONSTRUCTED TO WITHSTAND A 100 PSF LOADING.

TABLE OF VARIABLES				
CB DIA. INSIDE	No. OF BARS (A)	(B)	No. OF ATTACHMENT PLATES (C)	(D)
48"	26	8"	4	60"
54"	29	8"	6	67"
60"	32	10"	6	74"
72"	39	12"	8	88"
96"	50	12"	8	116"



NOT TO SCALE



CITY OF DES MOINES
PUBLIC WORKS DEPARTMENT

ENGINEERING SERVICES
21650 11TH AVENUE SOUTH
DES MOINES, IA 50319



EXTENDED DEBRIS CAGE

DM.B1.7

REVISED: 02/23